

The LS431 is a remote gear, surface mount luminaire, suitable for use where the control gear can be conveniently housed close by. It is designed for all hard surfaces in any orientation. It is a low profile luminaire, which can be desirable in many architectural lighting applications. Choices of lamps, beam angles, light and glare control accessories are available.

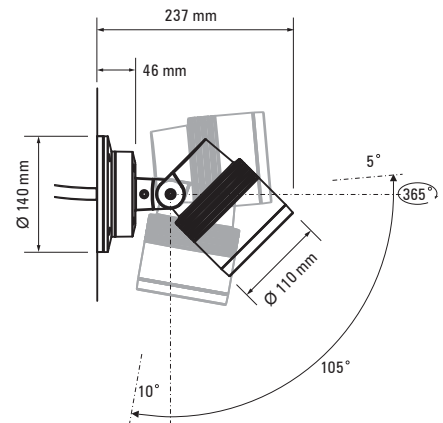
**SPECIFICATIONS**

<b>Lamp Source</b>	MH / HIT T4.5 (G8.5)	20 W, 35 W, 70 W
<b>IP Rating</b>	IP66 / IP67	
<b>Construction</b>	Powder coated aluminium ■ Black ■ Silver Custom powder coat colours available.	
<b>Installation Type</b>	Surface mount	
<b>Ambient Operating Temperature</b>	20 W, 35 W	-20 °C to +50 °C
	70 W	-20 °C to +40 °C
<b>Warranty</b>	2 year structural, 1 year electrical	
<b>Accessories</b> <i>Order separately</i>	<b>LS6064-R/G/B/Y</b> Dichroic filters <b>LS6065</b> Linear spreader lens <b>LS6066</b> Prismatic lens <b>LS6067</b> Concentric louvre <b>LS6104</b> External glare shield <b>LS6090</b> Remote electronic control gear <i>Distance from lamp 1 m maximum.</i>	
<b>Photometrics</b>	Go to <a href="http://www.lumascape.com.au">www.lumascape.com.au</a> ▶ Technical Data ▶ Photometric Files	
<b>Surface Temperature</b>	<b>HumanTouch™</b> compliant models ≤65 °C 20 W MH / HIT T4.5	

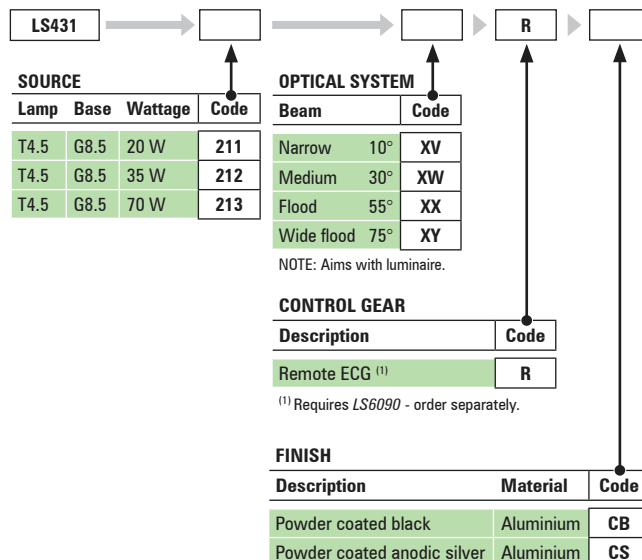
NOTE: Product specifications are subject to change without notice. Any luminaire can become hot - take care with appropriate use and placement.



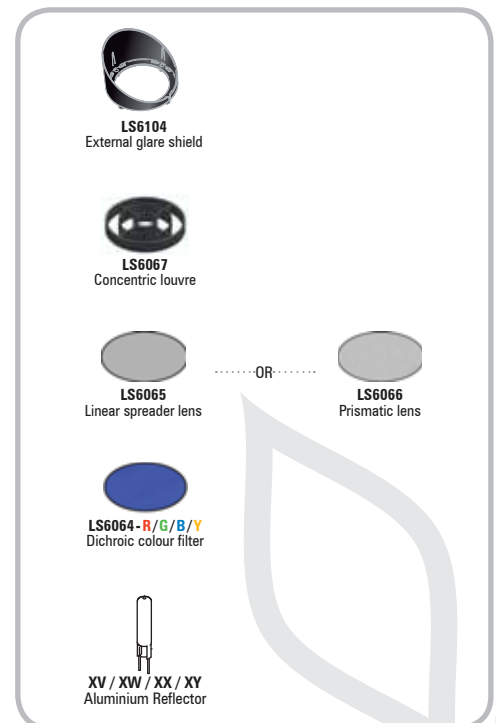
**LS431 Centria**  
Surface Mount Remote Gear  
(distance from lamp maximum 1 m)



**CONFIGURE THIS PRODUCT >**



**ACCESSORIES**



Other accessory stacking options may be available - consult factory