



The LS422LED ground mounted luminaire caters for a wide range of landscape lighting applications. Available for spike mounting, the height of the luminaire allows the light head to stand above plantings for an unobstructed cast of light on the target. Choices of beam angles, light and glare control accessories are available.

SPECIFICATIONS

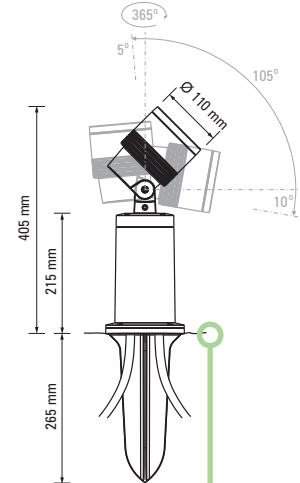
LED Source	LED 14 W or 27 W ⁽¹⁾ <input type="checkbox"/> White (4300 K typical) <input type="checkbox"/> Warm white (3000 K typical) <input type="checkbox"/> Blue (470 nm) LED 24 W ⁽¹⁾ <input type="checkbox"/> RGB
IP Rating	IP66 / IP67
Construction	Powder coated aluminium <input type="checkbox"/> Black <input type="checkbox"/> Silver Custom powder coat colours available.
Installation Type	Concrete anchor
Standard Inclusions	Integral driver OptiClear™ glass
Ambient Operating Temperature	-20 °C to +50 °C
Warranty	2 year structural, 1 year electrical
Accessories <i>Order separately</i>	LS6104 External glare shield
Photometrics	Go to www.lumascap.com.au ▶ Technical Data ▶ Photometric Files
Surface Temperature	HumanTouch™ compliant ≤65 °C

NOTE: Product specifications are subject to change without notice. Any luminaire can become hot - take care with appropriate use and placement.

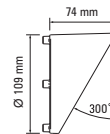
⁽¹⁾ Nominal power consumption only, actual power consumed may vary.



LS422LED Centria
Concrete anchor



NOTE: Base must be flush with finished floor level. Do not allow soil or material to build up around fixture.



LS6104 External Glare Shield

CONFIGURE THIS PRODUCT >

LS422LED				
LED SOURCE			OPTICAL SYSTEM	
Wattage	Colour	Code	Beam	Code
14 W	White (4300 K typical)	14W4	Narrow ⁽¹⁾	14° N
	Warm white (3000 K typical)	14H6	Medium	30° M
	Blue (470 nm)	14B4	Linear horizontal ⁽¹⁾ 40° x 20°	LH
27 W	White (4300 K typical)	27W4	Linear vertical ⁽¹⁾ 20° x 40°	LV
	Warm white (3000 K typical)	27H6		
	Blue (470 nm)	27B4		
24 W	RGB	24M4		

⁽¹⁾ Not available for RGB.
 NOTE: Aims with luminaire. Beam angle values are nominal.

SUPPLY VOLTAGE		
Voltage	Code	
100-240 V AC, 50/60 Hz ⁽¹⁾	1	
24 V DC ⁽²⁾	7	

⁽¹⁾ Not available for RGB.
⁽²⁾ Requires remote power supply.

FINISH		
Type	Material	Code
Powder coated black	Aluminium	CB
Powder coated anodic silver	Aluminium	CS