

The LS422 luminaire caters for a wide range of landscape lighting applications. Utilising spike mounting, the height of the luminaire allows the light head to stand above plantings for an unobstructed cast of light on the target. Choices of lamps, beam angles, light and glare control accessories are available.

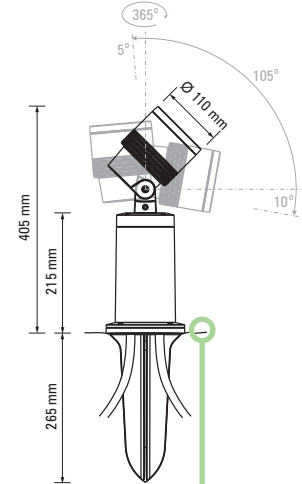
SPECIFICATIONS

Lamp Source	MH / HIT T4.5 (G8.5)	20 W, 35 W, 70 W
IP Rating	IP66 / IP67	
Construction	Powder coated aluminium ■ Black ■ Silver Custom powder coat colours available.	
Installation Type	Concrete anchor	
Standard Inclusion	Electronic control gear	
Ambient Operating Temperature	20 W, 35 W	-20 °C to +50 °C
	70 W	-20 °C to +40 °C
Warranty	2 year structural, 1 year electrical	
Accessories <i>Order separately</i>	LS6064-R/G/B/Y Dichroic filters LS6065 Linear spreader lens LS6066 Prismatic lens LS6067 Concentric louvre LS6104 External glare shield	
Photometrics	Go to www.lumascap.com.au ▶ Technical Data ▶ Photometric Files	
Surface Temperature	HumanTouch™ compliant models ≤65 °C 20 W	

NOTE: Product specifications are subject to change without notice. Any luminaire can become hot - take care with appropriate use and placement.



LS422 Centria
Concrete Anchor



NOTE: Base must be flush with finished floor level. Do not allow soil or material to build up around fixture.

CONFIGURE THIS PRODUCT >

LS422 → [] → [] → 1 → []

SOURCE			
Lamp	Base	Wattage	Code
T4.5	G8.5	20 W	211
T4.5	G8.5	35 W	212
T4.5	G8.5	70 W	213

OPTICAL SYSTEM		
Beam		Code
Narrow	10°	XV
Medium	30°	XW
Flood	55°	XX
Wide flood	75°	XY

NOTE: Aims with luminaire.

SUPPLY VOLTAGE	
Voltage	Code
220-240 V AC, 50/60 Hz	1

FINISH		
Description	Material	Code
Powder coated black	Aluminium	CB
Powder coated anodic silver	Aluminium	CS

ACCESSORIES

Other accessory stacking options may be available - consult factory