



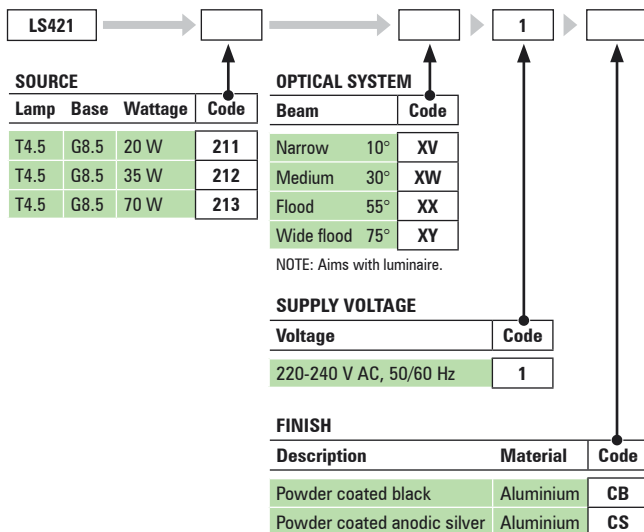
The LS421 is one of the most compact and versatile surface mount luminaires in its class, featuring integral electronic control gear. It is designed for all hard surfaces in any orientation. Choices of wattage, beam angles, light and glare control accessories are available.

SPECIFICATIONS

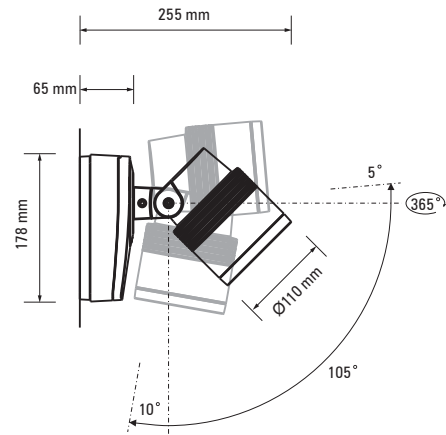
| | | |
|---|--|------------------|
| Lamp Source | MH / HIT T4.5 (G8.5) | 20 W, 35 W, 70 W |
| IP Rating | IP66 / IP67 | |
| Construction | Powder coated aluminium ■ Black ■ Silver Custom powder coat colours available. | |
| Installation Type | Surface mount | |
| Standard Inclusion | Electronic control gear | |
| Ambient Operating Temperature | 20 W, 35 W | -20 °C to +50 °C |
| | 70 W | -20 °C to +40 °C |
| Warranty | 2 year structural, 1 year electrical | |
| Accessories <i>Order separately</i> | LS6064 - R/G/B/Y Dichroic filters LS6065 Linear spreader lens LS6066 Prismatic lens LS6067 Concentric louvre LS6104 External glare shield | |
| Photometrics | Go to www.lumascap.com.au ▶ Technical Data ▶ Photometric Files | |
| Surface Temperature | HumanTouch™ compliant models ≤65 °C 20 W MH / HIT T4.5 | |

NOTE: Product specifications are subject to change without notice. Any luminaire can become hot - take care with appropriate use and placement.

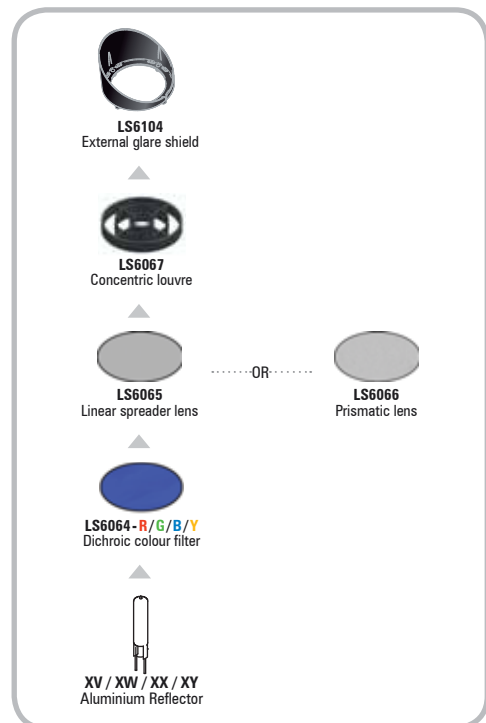
CONFIGURE THIS PRODUCT >



LS421 Centria
Surface Mount



ACCESSORIES



Other accessory stacking options may be available - consult factory