



LumascapE Lighting Industries Pty Ltd
 38-44 Enterprise Street, Cleveland, QLD4163, Australia
 PO Box 1875, Cleveland D.C., QLD 4163, Australia
 T 0732862299
 F 0732866599
 E sales@lumascapE.com.au
 W www.lumascapE.com.au

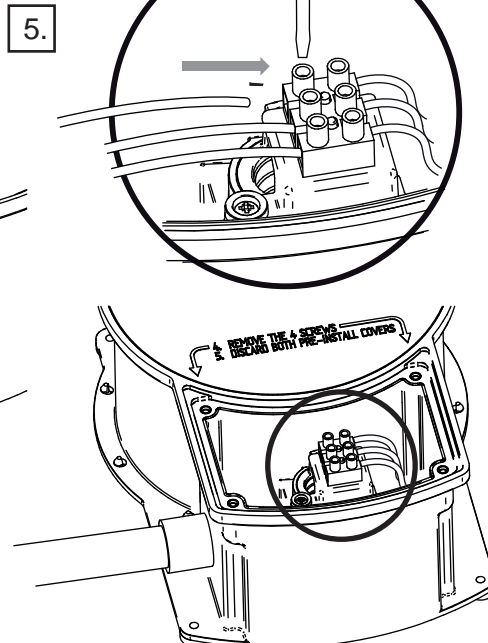
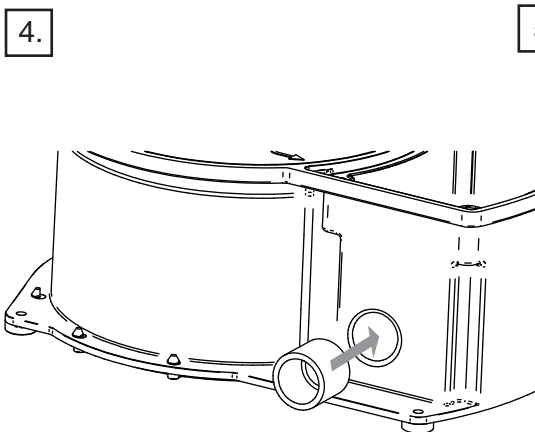
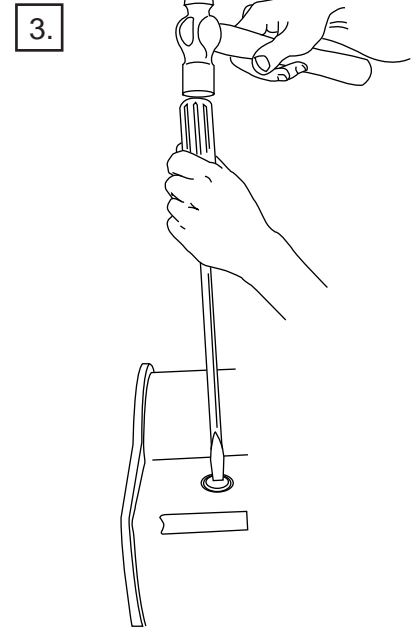
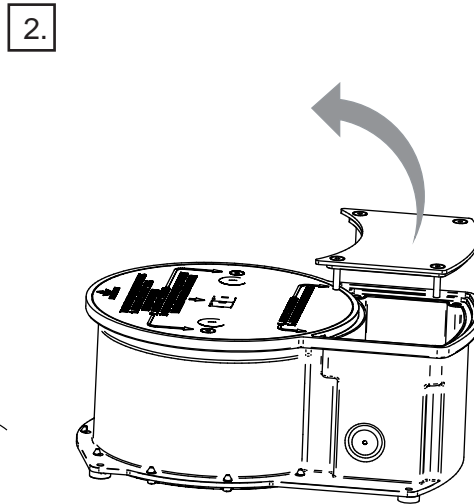
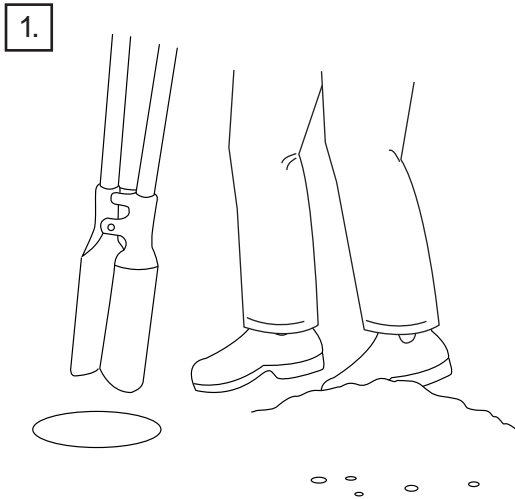
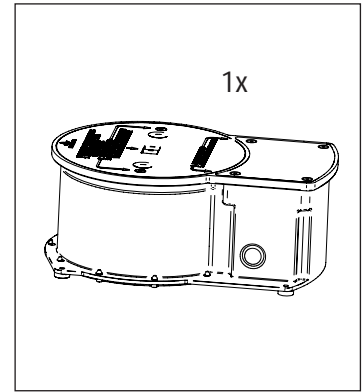
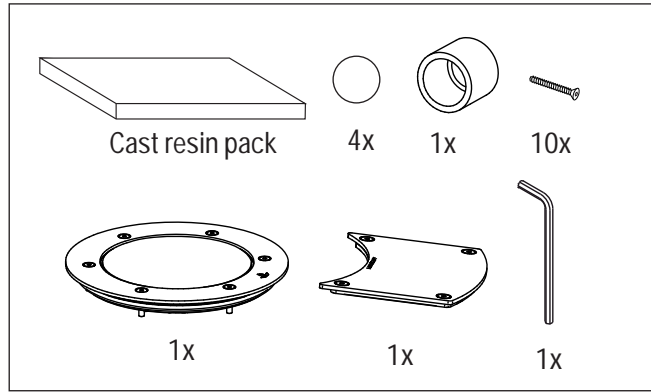
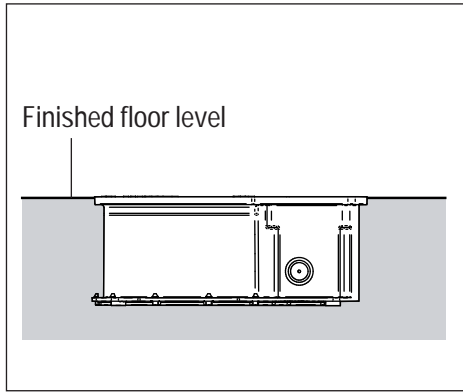
INSTALLATION INSTRUCTIONS

90° 190°C A.C.N. 0105 72 773

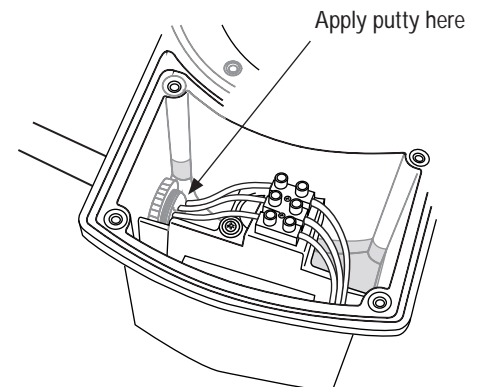
LUMASCAPE

LS353 Shallow Inground

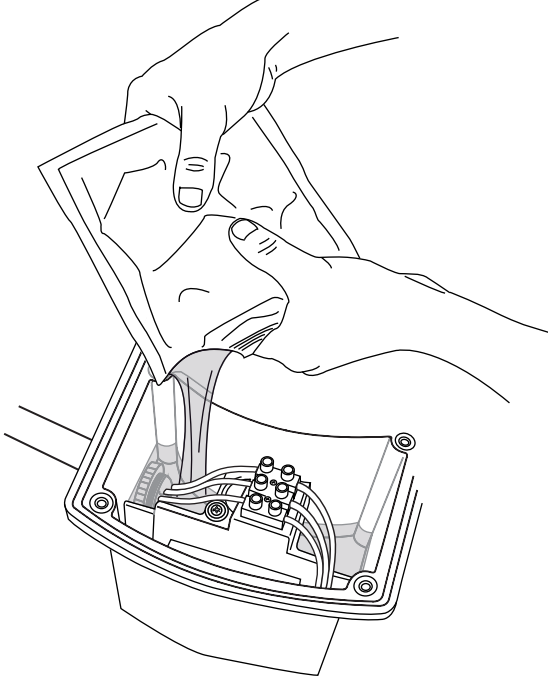
FOR OUTDOOR USE



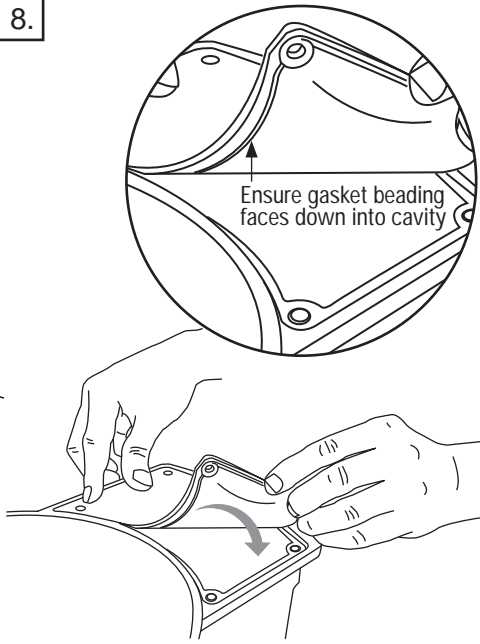
6. Ensure conduit hole is completely blocked using green putty (supplied)



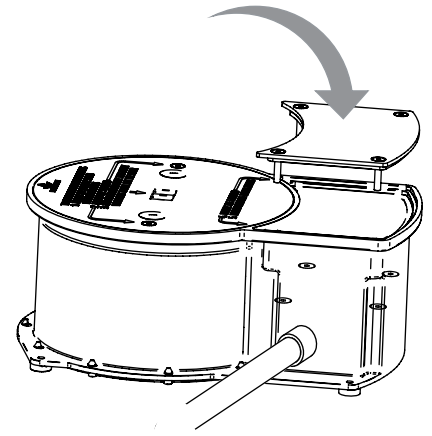
7. Pour cast resin into cable entry chamber. DO NOT OVERFILL



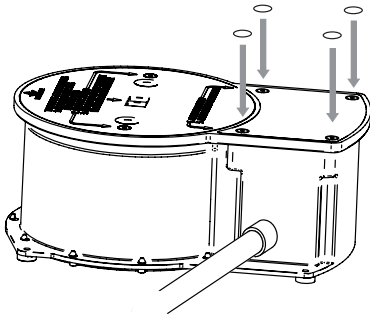
8.



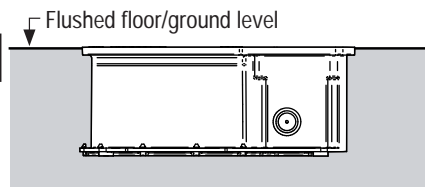
9. Re-assemble alluminium lid. Tighten screws.



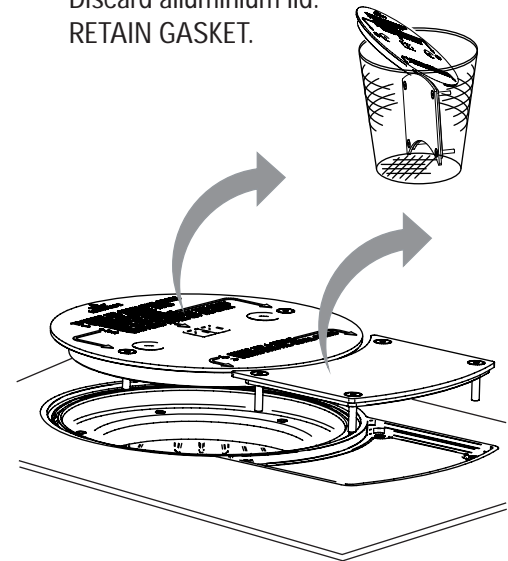
10. Cover the screw heads with supplied stickers.



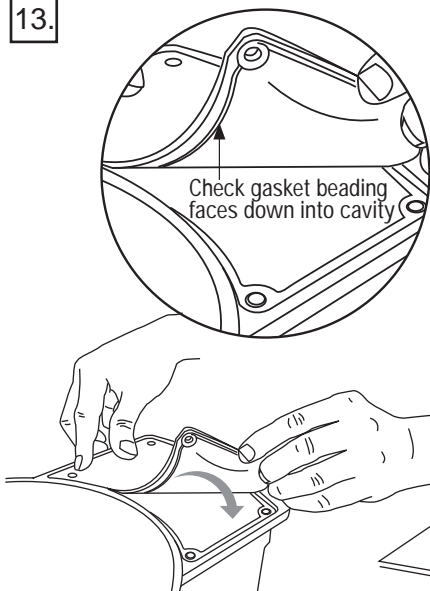
11.



12. Discard plastic lid and black o-ring. Discard alluminium lid. RETAIN GASKET.

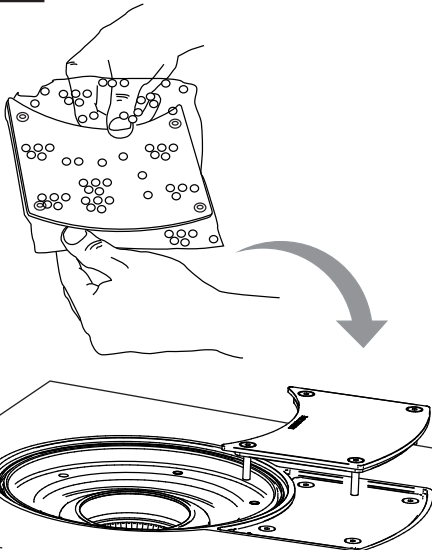


13.

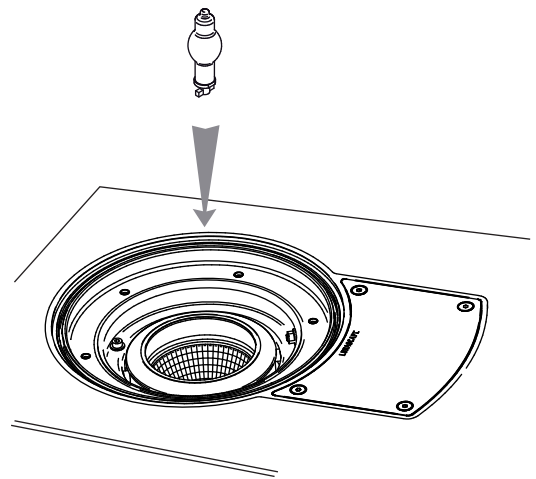


14.

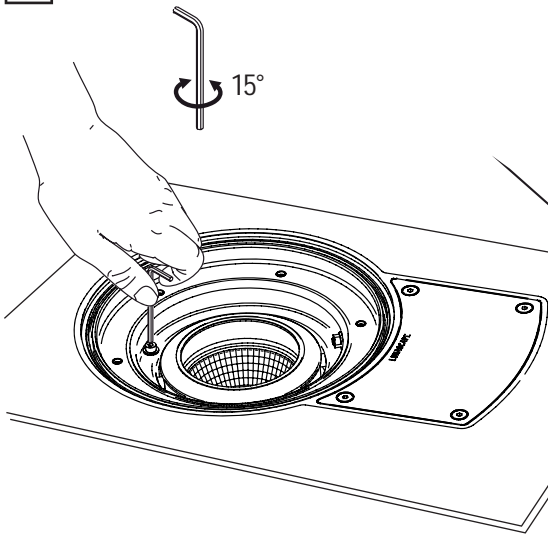
Fit stainless steel lid. Tighten screws.



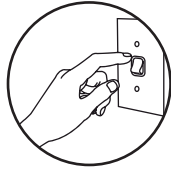
15.



16.

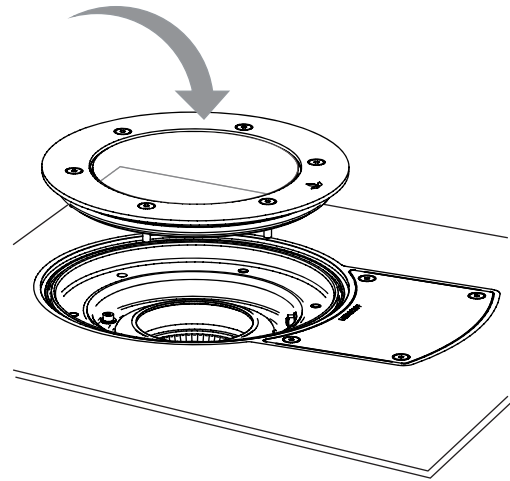


17.

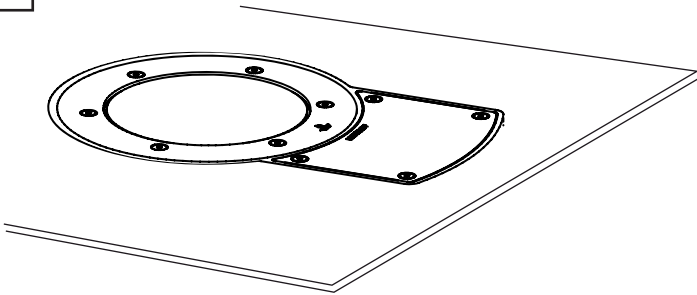


15 Min.

18.



19.



WARNING - To reduce the risk of FIRE or INJURY:

1. Luminaires and transformers to be installed by quality installers only.
2. Luminaires to be used for intended purpose only. e.g. Wall Mount fittings must be wall mounted.
3. Luminaires can become very hot. Use discretion in placement.
4. Do not touch hot lens, guard, or enclosure.
5. CAUTION - HOT SURFACE. Keep away from curtains and other combustible material.
6. Turn Off/Unplug and allow to cool before replacing lamp.
7. Keep lamp away from materials that may burn.
8. Never touch lamp with bare fingers. Oil from skin may damage lamp. Hold lamp with soft cloth when installing or replacing.
9. Do not operate the luminaires with a missing or damaged parts.
10. Replace any cracked protective shield.
11. Use only lamp type, voltage and wattage as specified by Lumascope on the product label.
12. Use only genuine Lumascope parts to replace damaged or missing components.
13. Luminaires supplied with Loctite Silver Grade Anti Seize lubricant on threads. Reapply if needed.
14. Refer to instructions for installation and operating requirements.
15. Ensure installation complies with local regulations

SAVE THESE INSTRUCTIONS.